

2-output LDO series regulator BA33C25FP/HFP

● Description

BA33C25FP/HFP is a 2-output LDO series regulator IC. Output current is 1A at maximum and output voltage accuracy is +/-2%. This IC incorporates over-current protection and thermal protection circuits.

● Features

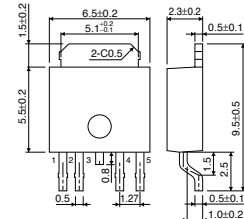
- 1) 3.3V/1A, 2.5V/1A
- 2) Output voltage accuracy: +/-2%
- 3) PNP output and LDO voltage type
- 4) Built-in output current limit circuit protects the IC from destruction by short
- 5) Built-in temperature protection circuit protects the IC from thermal destruction by overload state
- 6) TO252-5 package, HRP-5 package

● Applications

DVD-ROM, DVD-RW, HDD

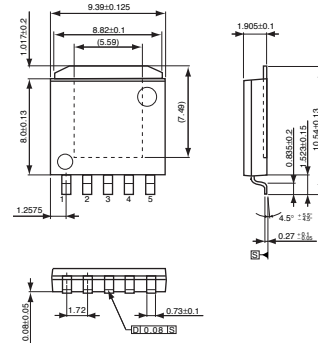
● Dimension (Unit : mm)

BA33C25FP



TO252-5

BA33C25HFP



HRP-5

● Absolute Maximum Ratings (Ta=25°C)

Parameter	Symbol	Limits	Unit
Applied voltage	V _{CC}	18	V
Power dissipation	P _d	2300 ^{*1}	mW
Operating temperature range	T _{opr}	-40 ~ +105	°C
Storage temperature range	T _{stg}	-55 ~ +150	°C

*1 Derating : 18.4mW/°C for operation above Ta ≥ 25°C
PCB (70mmx70mm, t=1.6mm) glass epoxy mounting. (Thermal via on the board.)
(Board surface copper foil area: 10.5mmX10.5mm)
(2 layer board (Back copper foil area: 15mmX15mm))

● Recommended Operating Conditions (Ta=25°C)

Parameter	Symbol	Min.	Typ.	Max.	Unit
Input supply voltage	V _{CC}	4.1	-	16.0	V
3.3V output current	I _{o1}	-	-	1	A
2.5V output voltage	I _{o2}	-	-	1	A

● Electrical characteristics (Unless otherwise noted; Ta=25°C, Vcc=5V)

Parameter	Symbol	Min.	Typ.	Max.	Unit	Conditions
Bias current	Ib	-	0.8	1.5	mA	Io1=0mA, Io2=0mA
<3.3V output>						
Output voltage 1	Vo1	3.234	3.3	3.366	V	Io1=500mA
Min. I/O voltage difference 1	$\Delta Vd1$	-	0.25□	0.50	V	Io1=500mA, Vcc=3.135V
Output current capacity 1	Io1	1.0	-	-	A	
Ripple rejection 1	R.R. 1	50	58	-	dB	f=120Hz, ein=1Vrms, Io1=200mA
Input stability 1	Reg.I1	-	5	30	mV	Vcc=4.1 → 16V, Io1=500mA
Load stability 1	Reg.L1	-	30	75	mV	Io1=0mA → 1A
Output voltage temperature coefficient 1	Tcvo1	-	±0.01	-	% / °C	Io1=5mA, Tj=0~125°C
Output short current 1	Ios1	-	300	-	mA	Vcc=16V
<2.5V output>						
Output voltage 2	Vo2	2.450	2.5	2.550	V	Io2=500mA
Output current capacity 2	Io2	1.0	-	-	A	
Ripple rejection 2	R.R. 2	50	58	-	dB	f=120Hz, ein=1Vrms, Io2=200mA
Input stability 2	Reg.I2	-	5	30	mV	Vcc=4.1 → 16V, Io2=500mA
Load stability 2	Reg.L2	-	30	75	mV	Io2=0mA → 1A
Output voltage temperature coefficient 2	Tcvo2	-	±0.01	-	% / °C	Io1=5mA, Tj=0~125°C
Output short current 2	Ios2	-	270	-	mA	Vcc=16V

*This product is not designed for protection against radioactive rays.

*2 Design guaranteed (All total inspection is not performed.)

● Block Diagram

