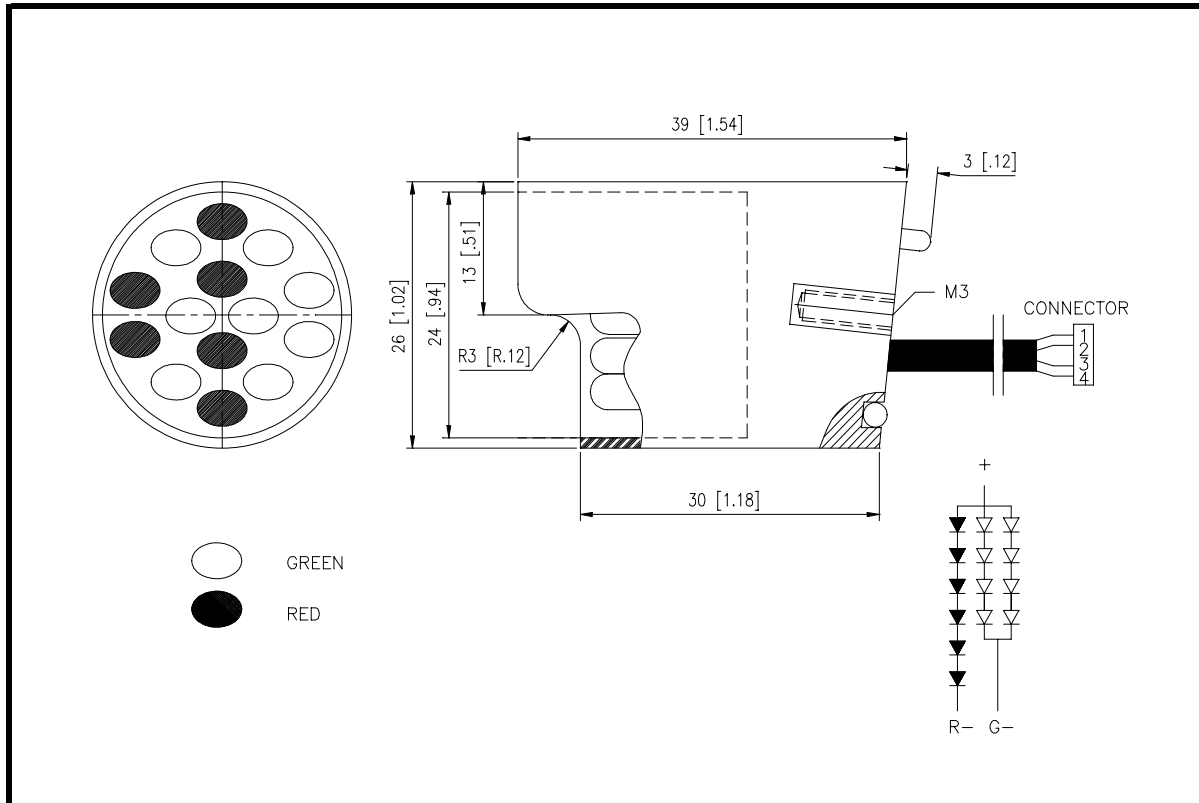


0267RG 26mm Multi-Color LED Cluster



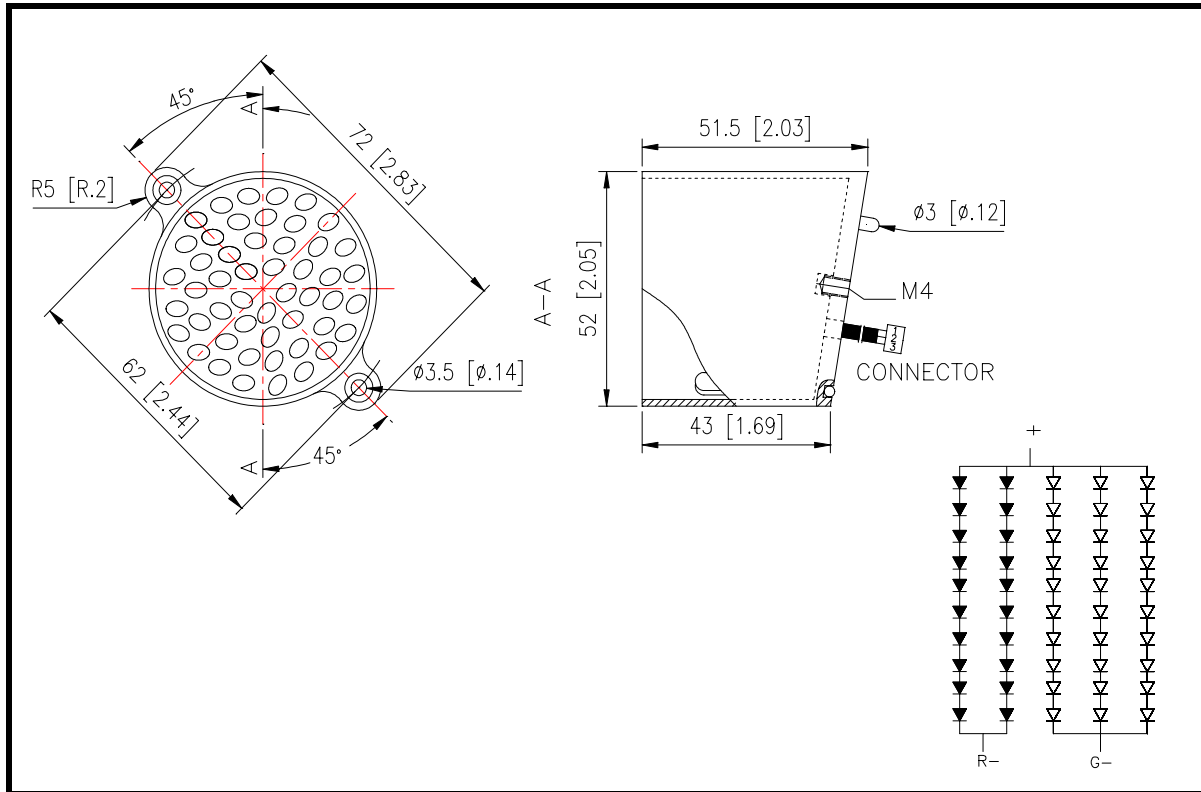
● Absolute maximum Ranges ($T_a=25\pm 3^\circ\text{C}$)

		RED	GREEN
Power Dissipation	PD	0.3W	0.6W
DC Forward Current	IF	25mA	60mA
Reverse Voltage	VR	36V	24V
Operating Temperature	Topr	-25~+80°C	-25~+80°C
Storage Temperature	Tstg	-30~+100°C	-30~+100°C

● Electrical and Optical Characteristics ($T_a=25\pm 3^\circ\text{C}$)

Color	Vf(V)			λ p(nm) Typ.	Iv(mcd) Typ.	Viewing Angle 2 θ 1/2(°)
	Min.	Typ.	Max.			
Red	11.7	12.12	12.24	630 \pm 5	1650	30/60
Green	8.8	9.12	9.2	570 \pm 5	1800	30/60
Test Condition	If=20mA			If=20mA	If=20mA	/

0501RG 52mm Multi-Color LED Cluster



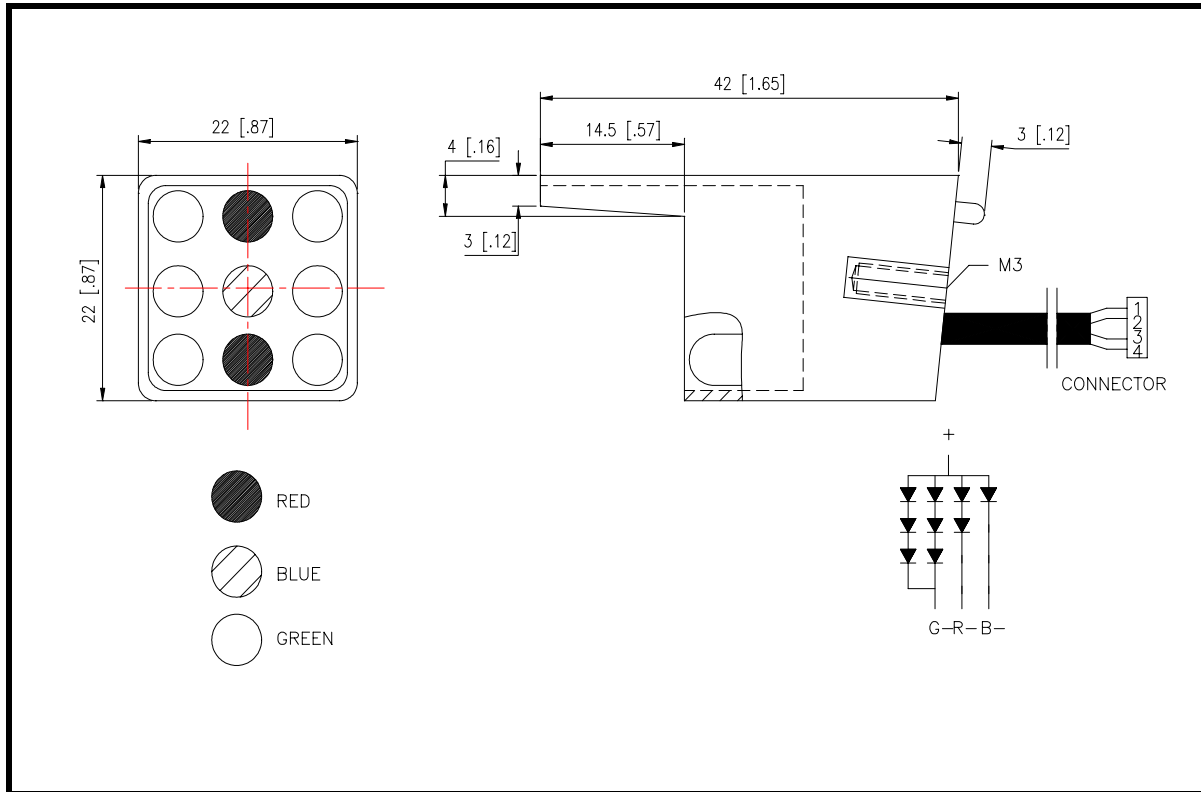
● Absolute maximum Ranges (Ta=25±3°C)

		RED	GREEN
Power Dissipation	PD	1.2W	2.25W
DC Forward Current	IF	50mA	90mA
Reverse Voltage	VR	60V	60V
Operating Temperature	Topr	-25~+80°C	-25~+80°C
Storage Temperature	Tstg	-30~+100°C	-30~+100°C

● Electrical and Optical Characteristics (Ta=25±3°C)

Color	Vf(V)			λ p(nm) Typ.	Iv(mcd) Typ.	Viewing Angle 2 θ 1/2(°)
	Min.	Typ.	Max.			
Red	19.5	20.2	20.4	630±5	4000	40/80
Green	22	22.8	23	570±5	6000	40/80
Test Condition	If=20mA			If=20mA	If=20mA	/

0211RGB 21mm Full-Color LED Cluster



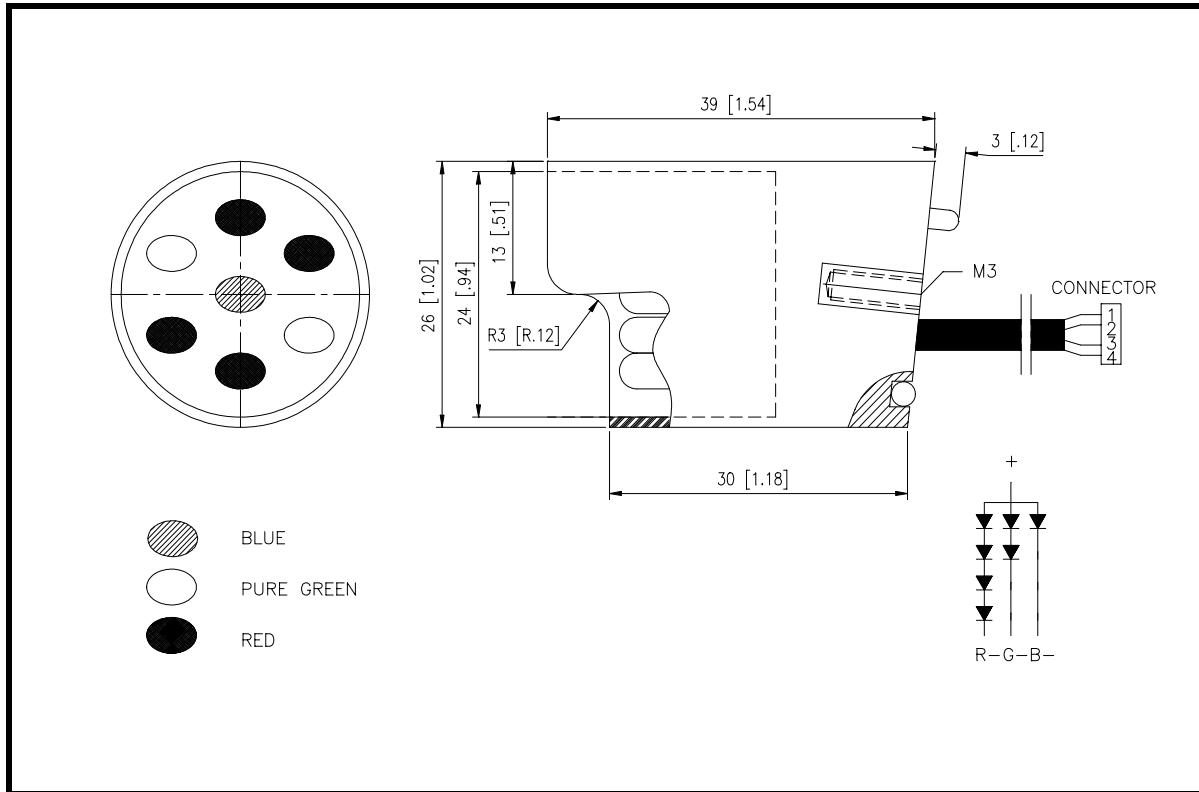
● Absolute maximum Ranges (Ta=25±3°C)

		RED	GREEN	BLUE
Power Dissipation	PD	0.1W	0.45W	0.1W
DC Forward Current	IF	25mA	60mA	30mA
Reverse Voltage	VR	12V	18V	6V
Operating Temperature	Topr	-25~+80°C	-25~+80°C	-25~+80°C
Storage Temperature	Tstg	-30~+100°C	-30~+100°C	-30~+100°C

● Electrical and Optical Characteristics (Ta=25±3°C)

Color	Vf(V)			λ p(nm) Typ.	Iv(mcd) Typ.	Viewing Angle 2 θ 1/2(°)
	Min.	Typ.	Max.			
Red	3.9	4.04	4.08	630±5	1430	35/70
Green	6.6	6.84	6.9	570±5	980	35/70
Blue	3.15	3.22	3.28	470±5	672	35/70
Test Condition	If=20mA			If=20mA	If=20mA	/

0261RGB 26mm Full-Color LED Cluster



● Absolute maximum Ranges (Ta=25±3°C)

		RED	GREEN	BLUE
Power Dissipation	PD	0.2W	0.22W	0.1W
DC Forward Current	IF	25mA	30mA	30mA
Reverse Voltage	VR	24V	12V	6V
Operating Temperature	Topr	-25~+80°C	-25~+80°C	-25~+80°C
Storage Temperature	Tstg	-30~+100°C	-30~+100°C	-30~+100°C

● Electrical and Optical Characteristics (Ta=25±3°C)

Color	Vf(V)			λ p(nm) Typ.	Iv(mcd) Typ.	Viewing Angle 2 θ 1/2(°)
	Min.	Typ.	Max.			
Red	7.8	8.08	8.16	630±5	1700	35/70
Green	6.96	7.16	7.24	525±5	3200	35/70
Blue	3.15	3.22	3.28	470±5	672	35/70
Test Condition	If=20mA			If=20mA	If=20mA	/