

### FEATURES

- Real time clock counts seconds, minutes, hours, date of the month, month, day of the week, and year with leap year compensation valid up to 2100
- 56 byte nonvolatile RAM for data storage
- 2-wire serial interface
- Programmable squarewave output signal
- Automatic power fail detect and switch circuitry
- Consumes less than 500 nA in battery backup mode at 25°C
- Optional industrial temperature range -40°C to +85°C (IND)
- Available in 8-pin DIP or SOIC

### ORDERING INFORMATION

DS1307	Serial Timekeeping Chip; 8-pin DIP
DS1307Z	Serial Timekeeping Chip; 8-pin SOIC (150 mil)
DS1307N	8-pin DIP (IND)
DS1307ZN	8-pin SOIC (IND)

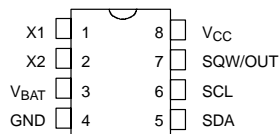
### DESCRIPTION

The DS1307 Serial Real Time Clock is a low power full BCD clock calendar plus 56 bytes of nonvolatile SRAM. Address and data are transferred serially via a 2-wire bi-directional bus. The clock/calendar provides seconds, minutes, hours, day, date, month, and year information. The end of the month date is automatically adjusted for months with less than 31 days, including corrections for leap year. The clock operates in either the 24-hour or 12-hour format with AM/PM indicator. The DS1307 has a built-in power sense circuit which detects power failures and automatically switches to the battery supply.

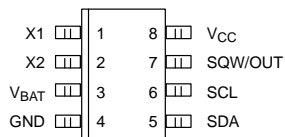
### OPERATION

The DS1307 operates as a slave device on the serial bus. Access is obtained by implementing a START condition

### PIN ASSIGNMENT



DS1307 8-PIN DIP (300 MIL)



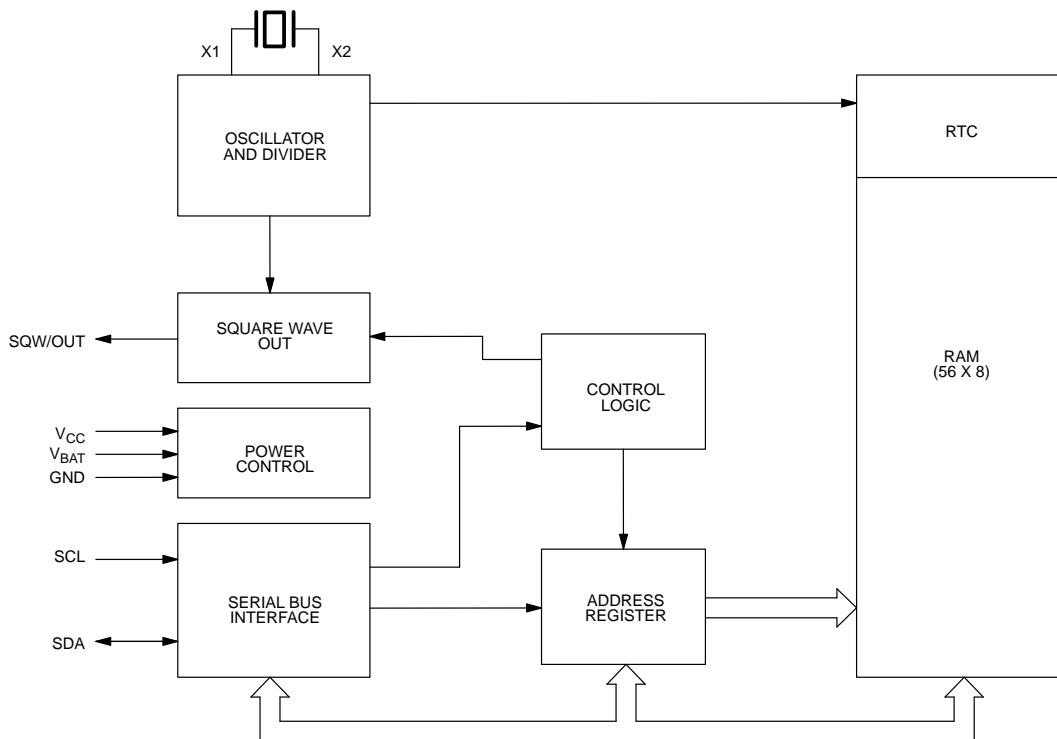
DS1307Z 8-PIN SOIC (150 MIL)

### PIN DESCRIPTION

V <sub>CC</sub>	- Primary Power Supply
X1, X2	- 32.768 KHz Crystal Connection
V <sub>BAT</sub>	- +3 Volt Battery Input
GND	- Ground
SDA	- Serial Data
SCL	- Serial Clock
SQW/OUT	- Square wave/Output Driver

and providing a device identification code followed by a register address. Subsequent registers can be accessed sequentially until a STOP condition is executed. When V<sub>CC</sub> falls below 1.25 x V<sub>BAT</sub> the device terminates an access in progress and resets the device address counter. Inputs to the device will not be recognized at this time to prevent erroneous data from being written to the device from an out of tolerance system. When V<sub>CC</sub> falls below V<sub>BAT</sub> the device switches into a low current battery backup mode. Upon power up, the device switches from battery to V<sub>CC</sub> when V<sub>CC</sub> is greater than V<sub>BAT</sub>+0.2V and recognizes inputs when V<sub>CC</sub> is greater than 1.25 x V<sub>BAT</sub>. The block diagram in Figure 1 shows the main elements of the Serial Real Time Clock. The following paragraphs describe the function of each pin.

DS1307 BLOCK DIAGRAM Figure 1



## SIGNAL DESCRIPTIONS

**V<sub>CC</sub>, GND** – DC power is provided to the device on these pins. V<sub>CC</sub> is the +5 volt input. When 5 volts are applied within normal limits, the device is fully accessible and data can be written and read. When a 3 volt battery is connected to the device and V<sub>CC</sub> is below 1.25 x V<sub>BAT</sub>, reads and writes are inhibited. However, the Timekeeping function continues unaffected by the lower input voltage. As V<sub>CC</sub> falls below V<sub>BAT</sub> the RAM and timekeeper are switched over to the external 3 volt battery.

**V<sub>BAT</sub>** – Battery input for any standard 3 volt lithium cell or other energy source. Battery voltage must be held between 2.5 and 3.5 volts for proper operation. The nominal write protect trip point voltage at which access to the real time clock and user RAM is denied is set by the internal circuitry as 1.25 x V<sub>BAT</sub> nominal. A Lithium battery with 35 mAh or greater will back up the DS1307 for more than 10 years in the absence of power.

**SCL (Serial Clock Input)** – SCL is used to synchronize data movement on the serial interface.

**SDA (Serial Data Input/Output)** – SDA is the input/output pin for the 2-wire serial interface. The SDA pin is open drain which requires an external pull-up resistor.

**SQW/OUT (Square Wave/ Output Driver)** – When enabled, the SQWE bit set to 1, the SQW/OUT pin outputs one of four square wave frequencies (1 Hz, 4 KHz, 8 KHz, 32 KHz). The SQW/OUT pin is open drain which requires an external pull-up resistor.

**X1, X2** – Connections for a standard 32.768 KHz quartz crystal. The internal oscillator circuitry is designed for operation with a crystal having a specified load capacitance (CL) of 12.5 pF.



**DS1307 TIMEKEEPER REGISTERS** Figure 3

	BIT7									BIT0	
00H	CH	10 SECONDS			SECONDS				00–59		
	X	10 MINUTES			MINUTES				00–59		
	X	12 24	10 HR A/P	10 HR	HOURS				01–12 00–23		
	X	X	X	X	X	DAY				1–7	
	X	X	10 DATE		DATE				01–28/29 01–30 01–31		
	X	X	10 MONTH		MONTH				01–12		
	10 YEAR				YEAR				00–99		
07H	OUT	X	X	SQWE	X	X	RS1	RS0			

**CONTROL REGISTER**

The DS1307 Control Register is used to control the operation of the SQW/OUT pin.

BIT 7	BIT 6	BIT 5	BIT 4	BIT 3	BIT 2	BIT 1	BIT 0
OUT	X	X	SQWE	X	X	RS1	RS0

**OUT (Output control):** This bit controls the output level of the SQW/OUT pin when the square wave output is disabled. If SQWE = 0, the logic level on the SQW/OUT pin is 1 if OUT = 1 and is 0 if OUT = 0.

**SQWE (Square wave Enable):** This bit when set to a logic 1 will enable the oscillator output. The frequency of the square wave output depends on the value of the RS0 and RS1 bits.

**RS (Rate Select):** These bits control the frequency of the square wave output when the square wave output has been enabled. Table 1 lists the square wave frequencies that can be selected with the RS bits.

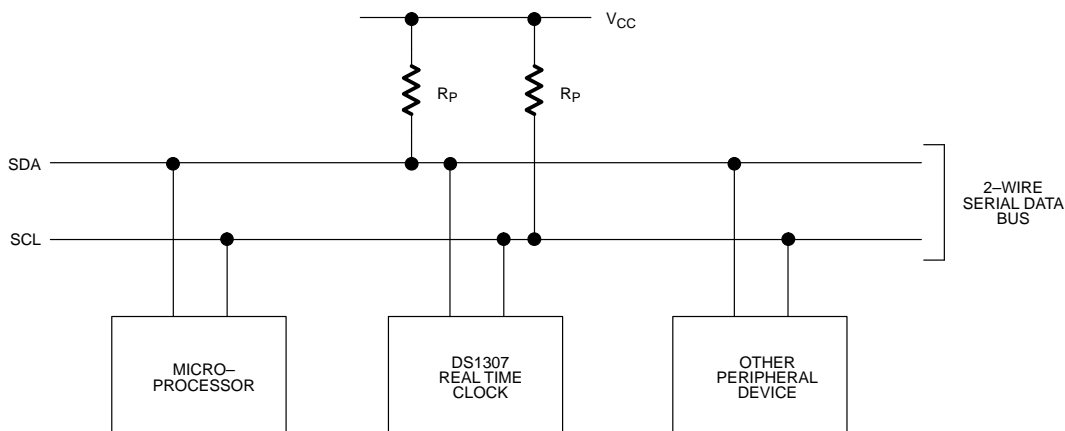
**SQUAREWAVE OUTPUT FREQUENCY** Table 1

RS1	RS0	SQW OUTPUT FREQUENCY
0	0	1 Hz
0	1	4 KHz
1	0	8 KHz
1	1	32 KHz

**2–WIRE SERIAL DATA BUS**

The DS1307 supports a bi-directional 2–wire bus and data transmission protocol. A device that sends data onto the bus is defined as a transmitter and a device receiving data as a receiver. The device that controls the message is called a master. The devices that are controlled by the master are slaves. The bus must be controlled by a master device which generates the serial clock (SCL), controls the bus access, and generates the START and STOP conditions. The DS1307 operates as a slave on the 2–wire bus. A typical bus configuration using this 2–wire protocol is show in Figure 4.

## TYPICAL 2-WIRE BUS CONFIGURATION Figure 4



The following bus protocol has been defined (see Figure 5).

- Data transfer may be initiated only when the bus is not busy.
- During data transfer, the data line must remain stable whenever the clock line is HIGH. Changes in the data line while the clock line is high will be interpreted as control signals.

Accordingly, the following bus conditions have been defined:

**Bus not busy:** Both data and clock lines remain HIGH.

**Start data transfer:** A change in the state of the data line from high to low, while the clock line is high, defines a START condition.

**Stop data transfer:** A change in the state of the data line from low to high, while the clock line is high defines the STOP condition.

**Data valid:** The state of the data line represents valid data when, after a START condition, the data line is stable for the duration of the high period of the clock signal. The data on the line must be changed during the low period of the clock signal. There is one clock pulse per bit of data.

Each data transfer is initiated with a START condition and terminated with a STOP condition. The number of data bytes transferred between the START and the STOP conditions is not limited, and is determined by the master device. The information is transferred byte-wise and each receiver acknowledges with a ninth bit.

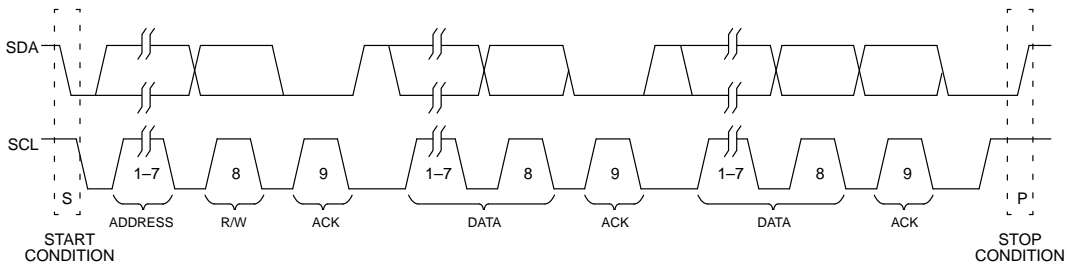
**Acknowledge:** Each receiving device, when addressed, is obliged to generate an acknowledge after the reception of each byte. The master device must generate an extra clock pulse which is associated with this acknowledge bit.

A device that acknowledges must pull down the SDA line during the acknowledge clock pulse in such a way that the SDA line is stable low during the high period of the acknowledge related clock pulse. Of course, setup and hold times must be taken into account. When receiving data from a slave a master must signal an end of data to the slave by not generating an acknowledge bit on the last byte that has been clocked out of the slave. In this case, the slave must leave the data line high to enable the master to generate the STOP condition.

### DATA TRANSFER

Figures 5, 6, and 7 detail how data transfer is accomplished on the 2-wire bus. Depending on the state of the  $R/\bar{W}$  bit in the transmission protocols as shown in Figures 6 and 7, two types of data transfer are possible:

**DATA TRANSFER ON 2-WIRE SERIAL BUS Figure 5**



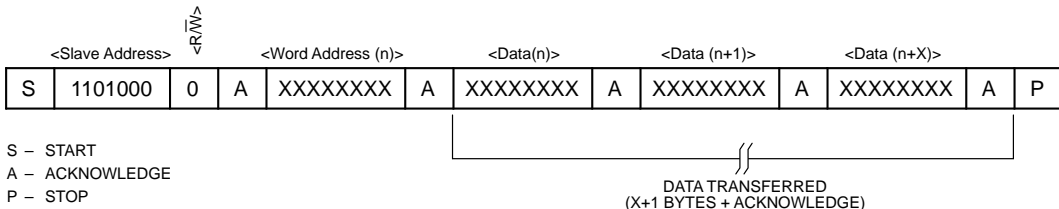
1. Data transfer from a master transmitter to a slave receiver. The first byte transmitted by the master is the slave address. Next follows a number of data bytes. The slave returns an acknowledge bit after each received byte. Data is transferred with the most significant bit (MSB) first.
2. Data transfer from a slave transmitter to a master receiver. The first byte (the slave address) is transmitted by the master. The slave then returns an acknowledge bit. This is followed by the slave transmitting a number of data bytes. The master returns an acknowledge bit after all received bytes other than the last byte. At the end of the last received byte, a 'not acknowledge' is returned.

The DS1307 may operate in the following two modes:

1. Slave receiver mode (DS1307 write mode): Serial data and clock are received through SDA and SCL. After each byte is received an acknowledge bit is transmitted. START and STOP conditions are recognized as the beginning and end of a serial transfer. Address recognition is performed by hardware after reception of the slave address and direction bit (See Figure 6). The address byte is the first byte received after the start condition is generated by the master. The address byte contains the 7 bit DS1307 address, which is 1101000, followed by the direction bit (R/W) which for a write is a 0. After receiving and decoding the address byte the DS1307 outputs an acknowledge on the SDA line. After the DS1307 acknowledges the slave address + write bit, the master transmits a register address to the DS1307. This will set the register pointer on the DS1307. The master will then begin transmitting each byte of data with the DS1307 acknowledging each byte received. The master will generate a stop condition to terminate the data write.

The master device generates all of the serial clock pulses and the START and STOP conditions. A transfer is ended with a STOP condition or with a repeated START condition. Since a repeated START condition is also the beginning of the next serial transfer, the bus will not be released. Data is transferred with the most significant bit (MSB) first.

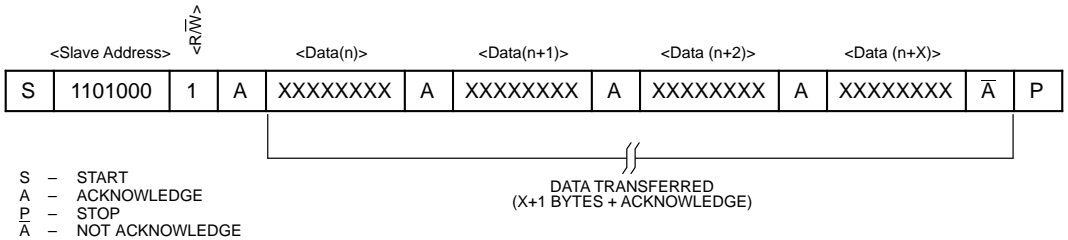
**DATA WRITE – SLAVE RECEIVER MODE Figure 6**



2. Slave transmitter mode (DS1307 read mode): The first byte is received and handled as in the slave receiver mode. However, in this mode, the direction bit will indicate that the transfer direction is reversed. Serial data is transmitted on SDA by the DS1307 while the serial clock is input on SCL. START and STOP conditions are recognized as the beginning and end of a serial transfer (See Figure 7). The address byte is the first byte received after the start condition is generated by the master. The address byte contains the 7 bit DS1307 address, which is

1101000, followed by the direction bit (R/W) which for a read is a 1. After receiving and decoding the address byte the DS1307 inputs an acknowledge on the SDA line. The DS1307 then begins to transmit data starting with the register address pointed to by the register pointer. If the register pointer is not written to before the initiation of a read mode the first address that is read is the last one stored in the register pointer. The DS1307 must receive a Not Acknowledge to end a read.

## DATA READ – SLAVE TRANSMITTER MODE Figure 7



**ABSOLUTE MAXIMUM RATINGS\***

Voltage on Any Pin Relative to Ground	-0.5V to +7.0V
Operating Temperature	0°C to 70°C
Storage Temperature	-55°C to +125°C
Soldering Temperature	260°C for 10 seconds

\* This is a stress rating only and functional operation of the device at these or any other conditions above those indicated in the operation sections of this specification is not implied. Exposure to absolute maximum rating conditions for extended periods of time may affect reliability.

The Dallas Semiconductor DS1307 is built to the highest quality standards and manufactured for long term reliability. All Dallas Semiconductor devices are made using the same quality materials and manufacturing methods. However, standard versions of the DS1307 are not exposed to environmental stresses, such as burn-in, that some industrial applications require. Products which have successfully passed through this series of environmental stresses are marked IND or N, denoting their extended operating temperature and reliability rating. For specific reliability information on this product, please contact the factory at (972) 371-4448.

**RECOMMENDED DC OPERATING CONDITIONS**

(0°C to 70°C)

PARAMETER	SYMBOL	MIN	TYP	MAX	UNITS	NOTES
Supply Voltage	V <sub>CC</sub>	4.5	5.0	5.5	V	1
Logic 1	V <sub>IH</sub>	2.2		V <sub>CC</sub> +0.3	V	1
Logic 0	V <sub>IL</sub>	-0.3		+0.8	V	1
V <sub>BAT</sub> Battery Voltage	V <sub>BAT</sub>	2.5		3.5	V	1

**DC ELECTRICAL CHARACTERISTICS**(0°C to 70°C; V<sub>CC</sub>=4.5V to 5.5V)

PARAMETER	SYMBOL	MIN	TYP	MAX	UNITS	NOTES
Input Leakage	I <sub>LI</sub>			1	μA	10
I/O Leakage	I <sub>LO</sub>			1	μA	11
Logic 0 Output	V <sub>OL</sub>			0.4	V	2
Active Supply Current	I <sub>CCA</sub>			1.5	mA	9
Standby Current	I <sub>CCS</sub>			200	μA	3
Battery Current (OSC ON); SQW/OUT OFF	I <sub>BAT1</sub>		300	500	nA	4
Battery Current (OSC ON); SQW/OUT ON (32 KHz)	I <sub>BAT2</sub>		480	800	nA	4



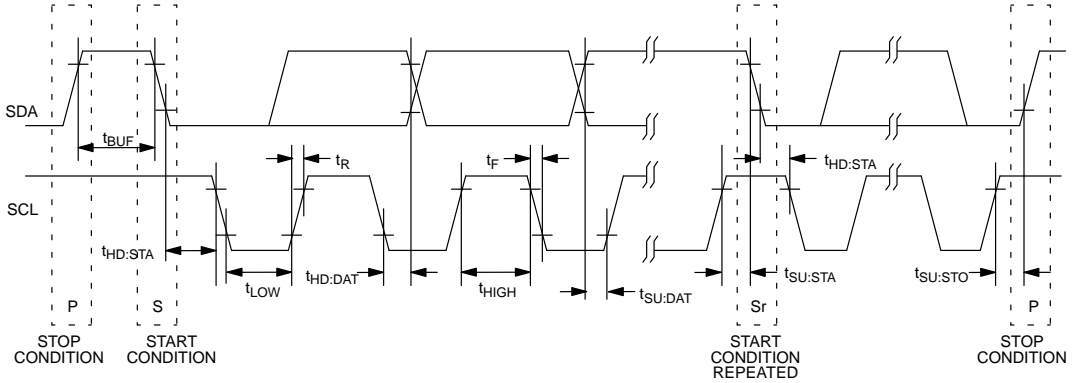
**AC ELECTRICAL CHARACTERISTICS**(0°C to 70°C;  $V_{CC}=4.5V$  to 5.5V)

PARAMETER	SYMBOL	MIN	TYP	MAX	UNITS	NOTES
SCL Clock Frequency	$f_{SCL}$	0		100	KHz	
Bus Free Time Between a STOP and START Condition	$t_{BUF}$	4.7			$\mu s$	
Hold Time (Repeated) START Condition	$t_{HD:STA}$	4.0			$\mu s$	5
LOW Period of SCL Clock	$t_{LOW}$	4.7			$\mu s$	
HIGH Period of SCL Clock	$t_{HIGH}$	4.0			$\mu s$	
Set-up Time for a Repeated START Condition	$t_{SU:STA}$	4.7			$\mu s$	
Data Hold Time	$t_{HD:DAT}$	0			$\mu s$	6, 7
Data Set-up Time	$t_{SU:DAT}$	250			ns	
Rise Time of Both SDA and SCL Signals	$t_R$			1000	ns	
Fall Time of Both SDA and SCL Signals	$t_F$			300	ns	
Set-up Time for STOP Condition	$t_{SU:STO}$	4.7			$\mu s$	
Capacitive Load for each Bus Line	$C_B$			400	pF	8
I/O Capacitance	$C_{I/O}$		10		pF	
Crystal Capacitance			12.5		pF	

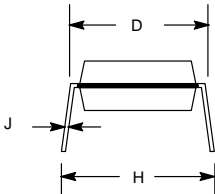
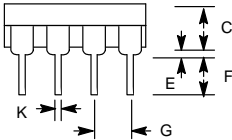
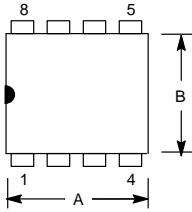
**NOTES:**

- All voltages are referenced to ground.
- Logic zero voltages are specified at a sink current of 5 mA at  $V_{CC}=4.5V$ ,  $V_{OL}=GND$  for capacitive loads.
- $I_{CCS}$  specified with  $V_{CC}=5.0V$  and SDA, SCL=5.0V.
- $V_{CC}=0V$ ,  $V_{BAT}=3V$ .
- After this period, the first clock pulse is generated.
- A device must internally provide a hold time of at least 300 ns for the SDA signal (referred to the  $V_{IHMIN}$  of the SCL signal) in order to bridge the undefined region of the falling edge of SCL.
- The maximum  $t_{HD:DAT}$  has only to be met if the device does not stretch the LOW period ( $t_{LOW}$ ) of the SCL signal.
- $C_B$  – total capacitance of one bus line in pF.
- $I_{CCA}$  – SCL clocking at max frequency = 100 KHz.
- SCL only.
- SDA and SQW/OUT

**TIMING DIAGRAM**

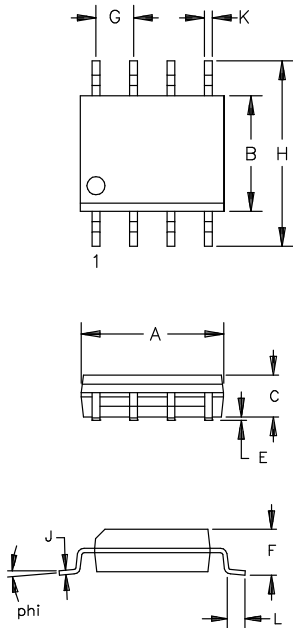


**DS1307 64 X 8 SERIAL REAL TIME CLOCK 8-PIN DIP**



PKG	8-PIN	
	MIN	MAX
A IN. MM	0.360 9.14	0.400 10.16
B IN. MM	0.240 6.10	0.260 6.60
C IN. MM	0.120 3.05	0.140 3.56
D IN. MM	0.300 7.62	0.325 8.26
E IN. MM	0.015 0.38	0.040 1.02
F IN. MM	0.120 3.04	0.140 3.56
G IN. MM	0.090 2.29	0.110 2.79
H IN. MM	0.320 8.13	0.370 9.40
J IN. MM	0.008 0.20	0.012 0.30
K IN. MM	0.015 0.38	0.021 0.53

## DS1307Z 64 X 8 SERIAL REAL TIME CLOCK 8-PIN SOIC (150 MIL)



PKG	8-PIN (150 MIL)	
	MIN	MAX
A IN. MM	0.188 4.78	0.196 4.98
B IN. MM	0.150 3.81	0.158 4.01
C IN. MM	0.048 1.22	0.062 1.57
E IN. MM	0.004 0.10	0.010 0.25
F IN. MM	0.053 1.35	0.069 1.75
G IN. MM	0.050 BSC 1.27 BSC	
H IN. MM	0.230 5.84	0.244 6.20
J IN. MM	0.007 0.18	0.011 0.28
K IN. MM	0.012 0.30	0.020 0.51
L IN. MM	0.016 0.41	0.050 1.27
phi	0°	8°

56-G2008-001