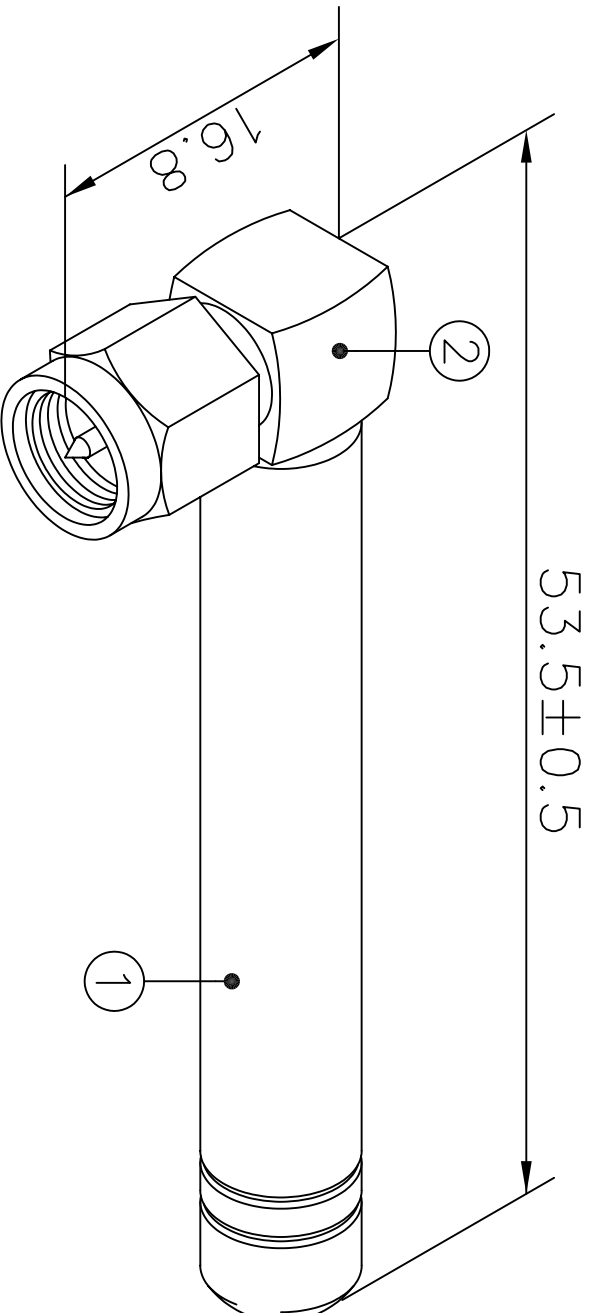
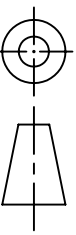


NO.	圖名	材質	外觀	用量
01	桿套	PVC	黑色	01
02	SMA 90° 公接頭	銅	鍍鎳	01



NO.	Dater	Revision	Reviser	Version	A			B		
					No.	Insp Spec	Test Instrument	No.	Insp Spec	Test Instrument
01										



Third angle projection

CORPORATION		CUSTOMER'S Parts number		870~960MHz	m/m				1
tolerance	.X±0.1	Name	Parts number	Approved	Scale	Weight	Drawing	Version	Designed
surface roughness	$\sqrt{\nabla}$ ^S	外觀圖	SGSM008 SMA90°						

ADACTUS