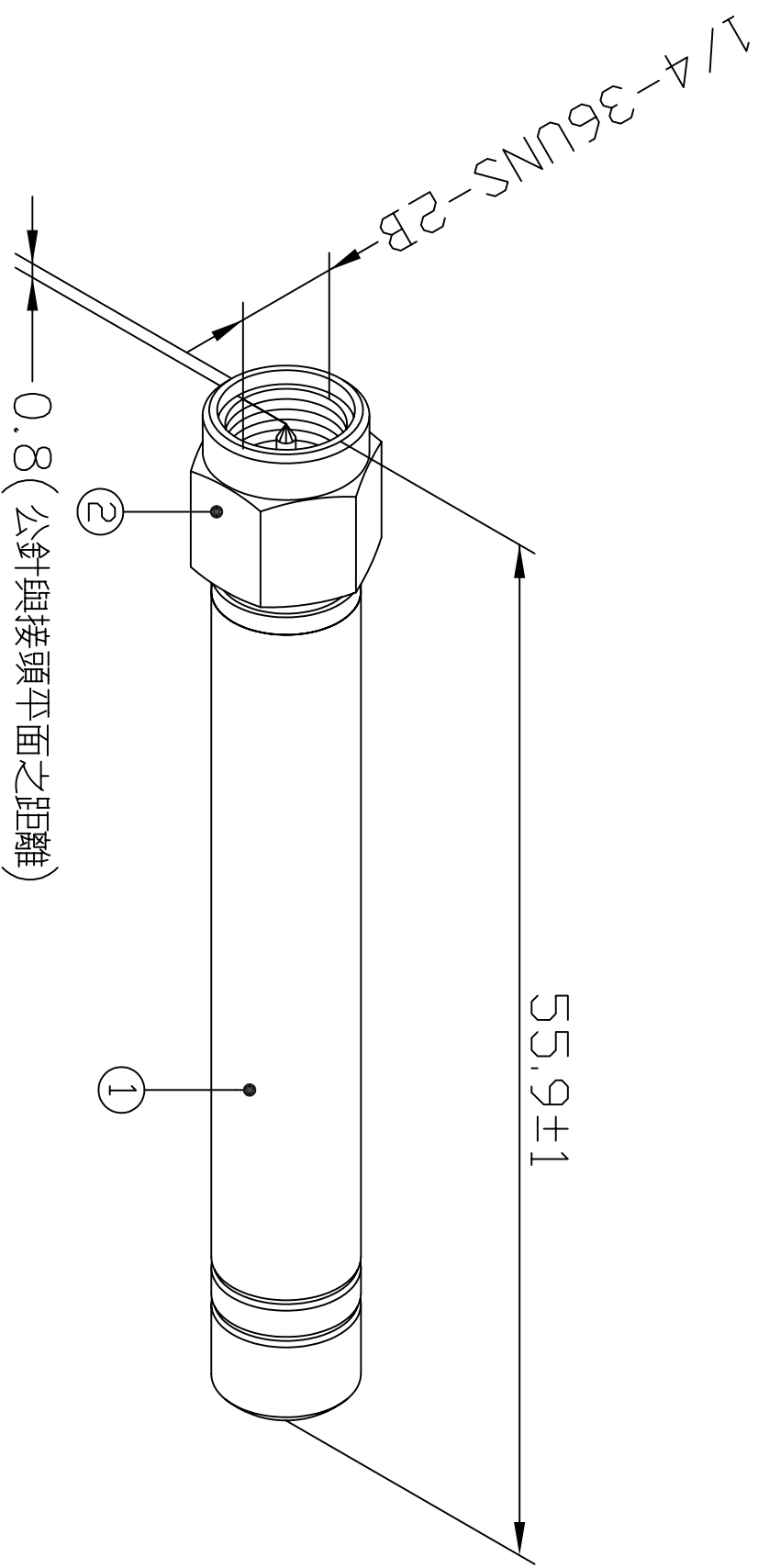


NO.	圖名	材質	外觀	用量
01	焊套	PVC	黑色	01
02	SMA 180°公接頭	銅	鍍鎳	01



NO.	Dater	Revision	Reviser	Version	A			B		
					No.	Insp Spec	Test Instrument	No.	Insp Spec	Test Instrument
01										
Third angle projection					900/1800MHZ					
CORPORATION					CUSTOMER'S Parts number			Unit		
tolerance					Name			Parts number		
surface roughness					外觀圖			Approved		
.X±0.1					SGSM008 SMA180°			Checked		
S					SCS			Drawing		
▽▽					Version			Designed		
1										

ADACTUS