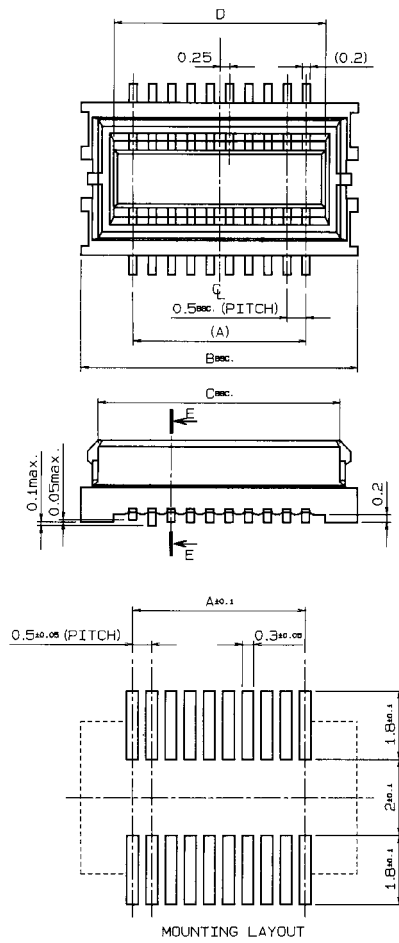
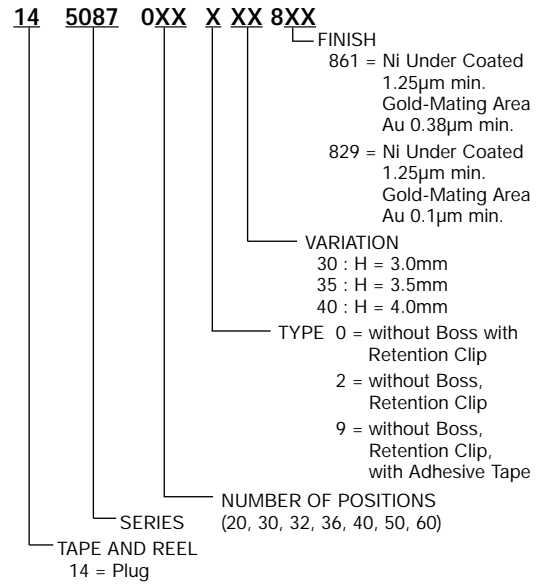


# Super Micro Connectors 0.5mm Pitch

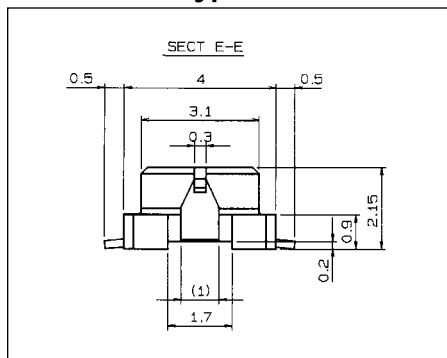
## Series 5087 Plug



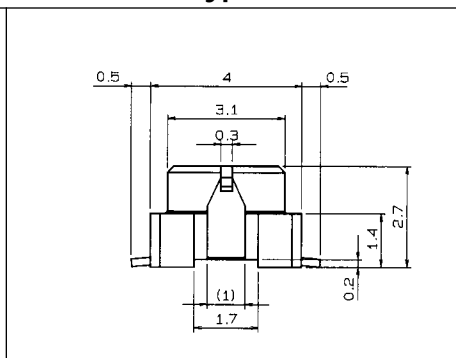
### ORDERING CODE



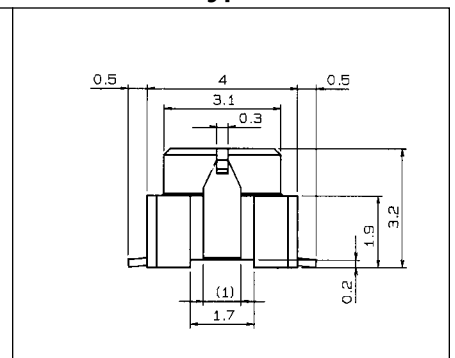
H = 3.0mm Type



H = 3.5mm Type

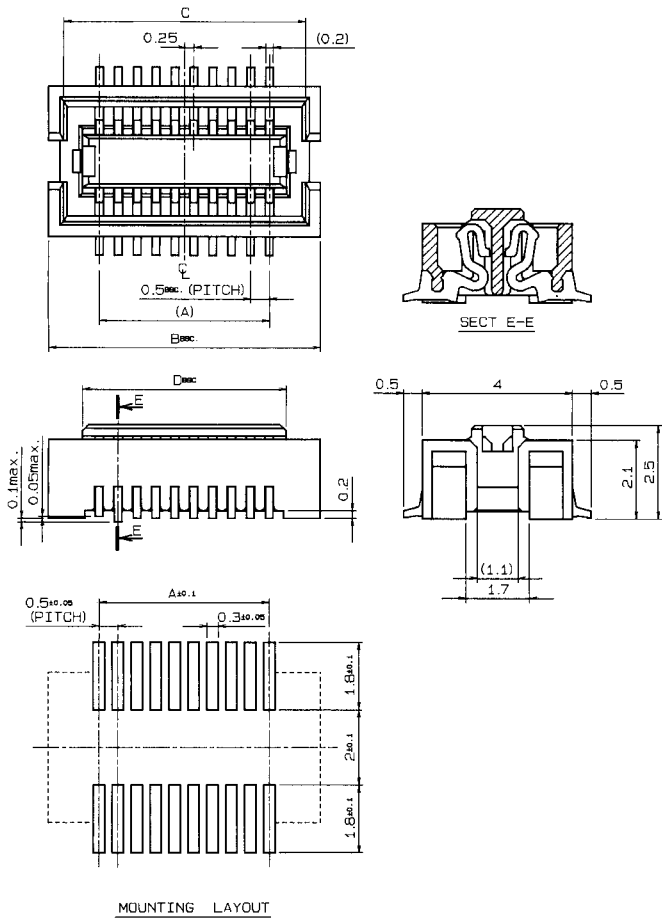


H = 4.0mm Type

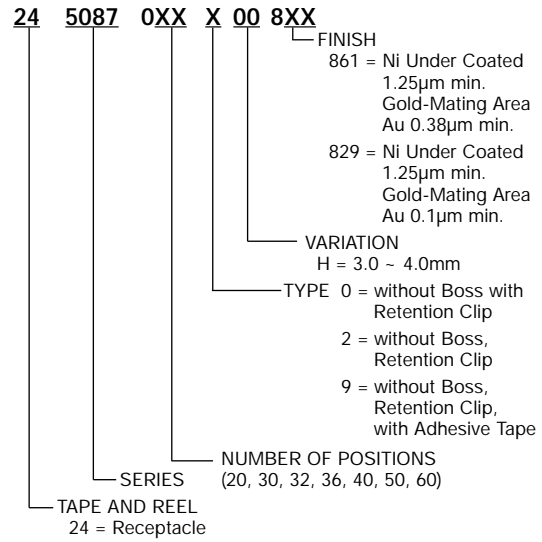


# Super Micro Connectors 0.5mm Pitch

## Series 5087 Receptacle H = 3.0 ~ 4.0mm Type



### ORDERING CODE



<p>A = 0.5 (± 1)</p> <p>B = A + 2.7</p> <p>C = A + 1.9</p> <p>D = A + 0.9</p>
---