



Ordering Information

C213 - SAA

- Series No.:
- Tail Orientation:
 - S - Standard
 - R - Reverse
- Additional Form:
 - A - One Top Screw Mounting Hole
 - B - Two Top Screw Mounting Holes
- Shielding Metal:
 - A - W/O Metal Shield
 - B - Metal Shield

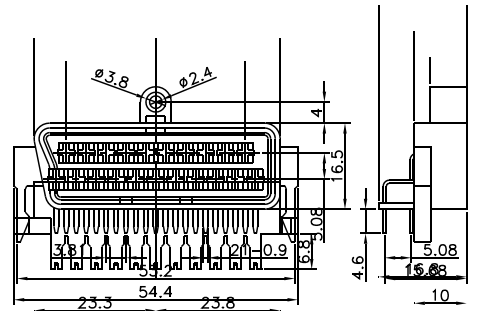
C213 Series

Scart Socket, Right Angle, Boardlock, Top Holes

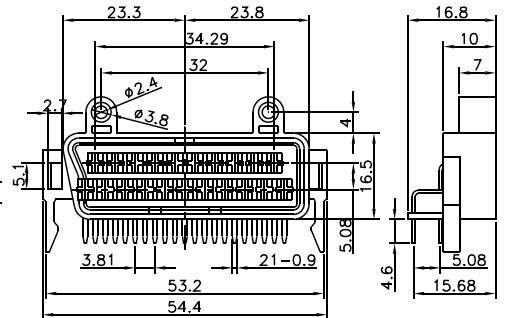
Specifications:

Contact Resistance: 100mΩ @ 100mA DC
 Insulator Resistance: 1000MΩmin. @ 500V DC
 Current Rating: 3AMP
 Voltage: 1000V AC For 1 minute
 Operating Temperature: -55°C~+105°C
 Contact: Brass or Phosphor Bronze, Tin Plated
 Housing: PC or ABS, UL94V-0

<One Top Screw Mounting Hole>



<Two Top Screw Mounting Holes>



PCB Layout

