

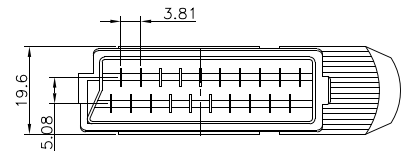
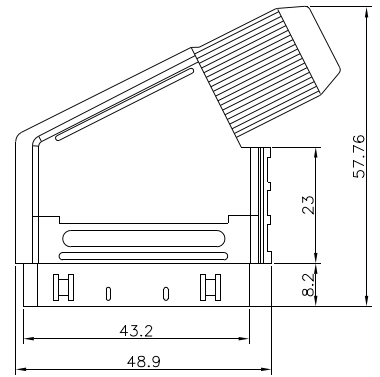


C201 Series

Scart Plug, Plastic Type, For Cable Assembly

Specifications:

Contact Resistance: 100mΩ @ 100mA DC
 Insulator Resistance: 1000MΩmin. @ 500V DC
 Current Rating: 3AMP
 Voltage: 1000V AC For 1 minute
 Operating Temperature: -55°C~+105°C
 Contact: Brass, Tin Plated or Gold Plated
 Housing: PC or ABS, UL94V-0
 Metal Shell: Stainless Steel, or Gold Plated Bronze



Ordering Information

C201 - A T
 Series No. Contact Plated
 Metal Shell: T - Tin Plated
 G - Gold Plated
 A - Stainless Steel
 B - Bronze, Gold Plated