

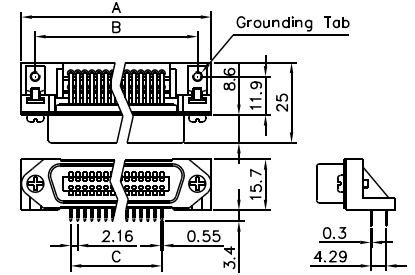
C193 Series

Centronic Connectors, Right Angle, PCB Mounting

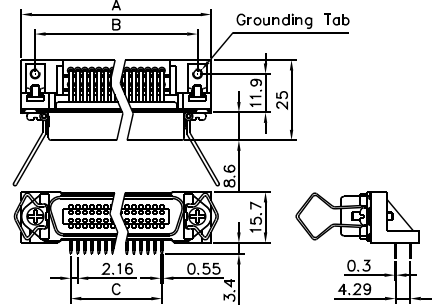
Specifications:

Contact Resistance: $30m\Omega @ 100mA$ DC
 Insulator Resistance: $5000M\Omega$ min. @ 500V DC
 Current Rating: 5AMP
 Voltage: 1000V AC For 1 minute
 Operating Temperature: $-55^{\circ}C \sim +105^{\circ}C$
 Contact: Phosphor Bronze, Stamped
 Housing: PBT(30% Glass Fiber), UL94V-0
 Shell: Steel, Zinc Plated or Tinned

<Receptacle, W/O Latches>



<Receptacle, Latches>



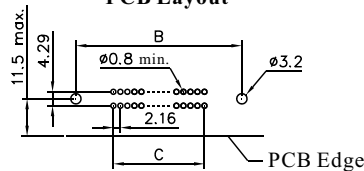
Ordering Information

C193 - 40 50 0 - 0G B

- | | | | | | |
|------------|--------------------------------------|----------------------------------|--------------|------------------|--------------------------|
| Series No. | 40 | 50 | 0 | 0G | B |
| Gender: | 20 - Female (Receptacle) W/O Latches | 40 - Female (Receptacle) Latches | No. of Pins: | 36, 50 | Style of Grounding Tab: |
| | | | | 0 - #4-40 | 1 - $\phi 3.2$ |
| | | | | | 2 - Boardlock |
| | | | | Insulator Color: | |
| | | | | | B - Blue |
| | | | | | K - Black |
| | | | | | G - Gray |
| | | | | Contact Plating: | |
| | | | | | 0G - Gold Flash |
| | | | | | 05 - 5u" Selective Gold |
| | | | | | 10 - 10u" Selective Gold |
| | | | | | 15 - 15u" Selective Gold |
| | | | | | 30 - 30u" Selective Gold |

Positions	A	B	C	D
36	67.74	59.74	36.72	59.20
50	82.85	74.85	51.84	74.40

PCB Layout



Panel Cutout

