



# C192 Series

## Centronic Connectors, PCB Mounting

### Specifications:

Contact Resistance: 30mΩ @ 100mA DC  
 Insulator Resistance: 5000MΩmin. @ 500V DC  
 Current Rating: 5AMP  
 Voltage: 1000V AC For 1 minute  
 Operating Temperature: -55°C~+105°C  
 Contact: Phosphor Bronze, Stamped  
 Housing: PBT(30% Glass Fiber), UL94V-0  
 Shell: Steel, Zinc Plated or Tinned  
 PCB Thickness: 0.060~0.120 inch

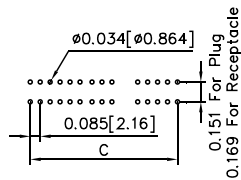
### Ordering Information

C192 - 20 50 0 - 0G B

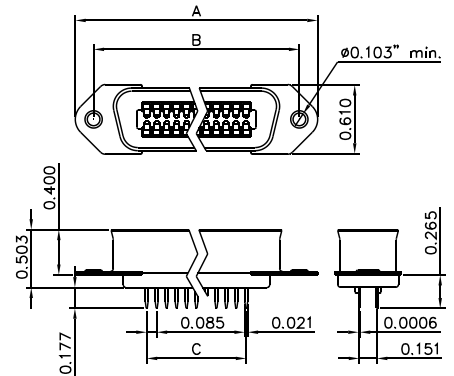
Series No.	Insulator Color:
Gender:	B - Blue
10 - Male (Plug)	K - Black
20 - Female (Receptacle)	G - Gray
W/O Latches	Contact Plating:
40 - Female (Receptacle)	0G - Gold Flash
Latches	05 - 5u" Selective Gold
No. of Pins:	10 - 10u" Selective Gold
36,50	15 - 15u" Selective Gold
Alternation Code	30 - 30u" Selective Gold
(Meaningless)	

Positions	A	B	C	D
36	2.660	2.152	1.445	1.876
50	3.260	2.947	2.040	2.470

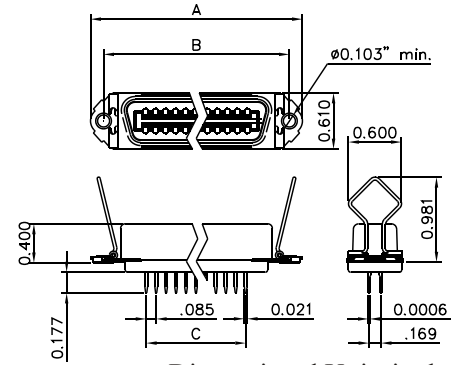
### Recommended PCB Layout



### <Plug>



### <Receptacle>



Dimensional Unit: inch

### <Receptacle, Latches>