



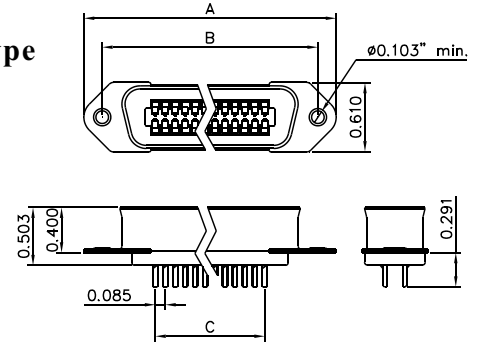
C190 Series

Centronic Connectors, Solder Type

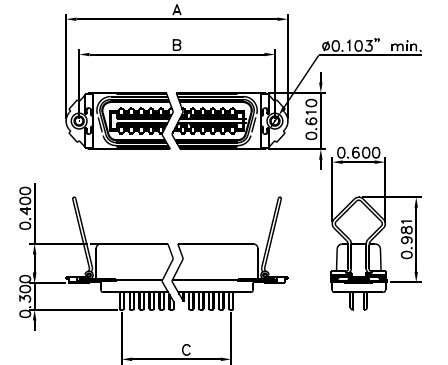
Specifications:

Contact Resistance: 30mΩ @ 100mA DC
 Insulator Resistance: 5000MΩmin. @ 500V DC
 Current Rating: 5AMP
 Voltage: 1000V AC For 1 minute
 Operating Temperature: -55°C~+105°C
 Contact: Phosphor Bronze, Stamped
 Housing: PBT(30% Glass Fiber), UL94V-0
 Shell: Steel, Zinc Plated or Tinned

<Plug>



<Receptacle>



Dimensional Unit: inch

Ordering Information

C190 - 10 50 0 - 0G B

Series No.	10	50	0	0G	B
Gender:	10 - Male (Plug)	20 - Female (Receptacle)	40 - Female (Receptacle)		
		W/O Latches	Latches		
No. of Pins:	36, 50				
Alternation Code	(Meaningless)				
Insulator Color:	B - Blue	K - Black	G - Gray		
Contact Plating:	0G - Gold Flash	05 - 5u" Selective Gold	10 - 10u" Selective Gold	15 - 15u" Selective Gold	30 - 30u" Selective Gold

Positions	A	B	C	D
36	2.660	2.152	1.445	1.876
50	3.260	2.947	2.040	2.470

Simplified Panel Cutout

