



C149 Series

DIN41612 C/2 Type(Triple Row)

Specifications:

Contact Resistance: 30mΩ @ 100mA DC
 Insulator Resistance: 1000MΩmin. @ 500V DC
 Current Rating: 2AMP
 Voltage: 1000V AC For 1 minute
 Operating Temperature: -55°C~+105°C
 Contact: Brass or Phosphor Bronze, Stamped
 Housing: PBT, UL94V-0

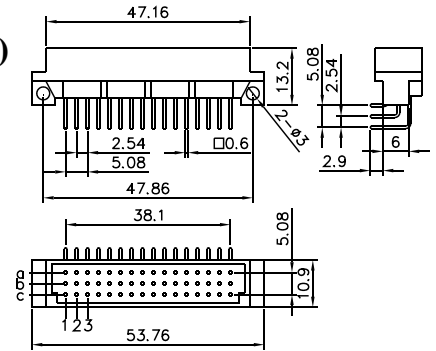
Ordering Information

C149 - MA 32 T W

Series No. _____
 Gender: _____
 M - Male(Right Angle)
 F - Female(Dip Solder)
 Pitch: _____
 A - 2.54mm
 B - 5.08mm
 Termination Type: _____
 W - Wire Wrap
 D - Dip
 I - IDC
 Tinned Dip Tail
 & Gold Plated Contact
 No. of Pins: _____
 16,24,32,48

Pitch	Positions	Effective Rows
2.54	48	a b c
	32	a - c
5.08	24	a b c
	16	a - c

<Male>



<Female>

