

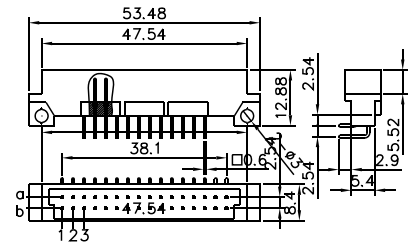
# C148 Series

## DIN41612 B/2 Type(Dual Row)

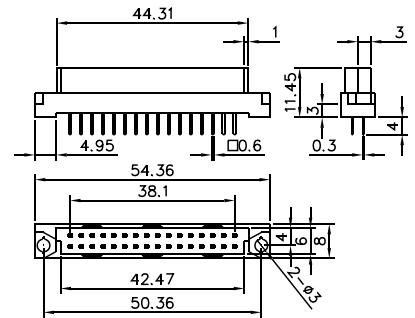
<Male>

### Specifications:

Contact Resistance: 30mΩ @ 100mA DC  
 Insulator Resistance: 1000MΩmin. @ 500V DC  
 Current Rating: 2AMP  
 Voltage: 1000V AC For 1 minute  
 Operating Temperature: -55°C~+105°C  
 Contact: Brass or Phosphor Bronze, Stamped  
 Housing: PBT, UL94V-0



<Female>



### Ordering Information

C148 - MA 32 T W

Series No. \_\_\_\_\_  
 Gender: \_\_\_\_\_  
 M - Male(Right Angle)  
 F - Female(Dip Solder)  
 Pitch: \_\_\_\_\_  
 A - 2.54mm  
 B - 5.08mm  
 Termination Type:  
 W - Wire Wrap  
 D - Dip  
 I - IDC  
 Tinned Dip Tail  
 & Gold Plated Contact  
 No. of Pins:  
 08,16,32

Pitch	Positions	Effective Rows
2.54	32	a b
	16	a -
5.08	16	a b
	08	a -