

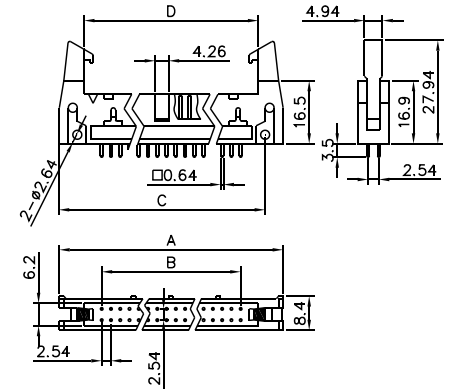
C119 Series

PCB Header, 2.54mm(0.100"), Latches

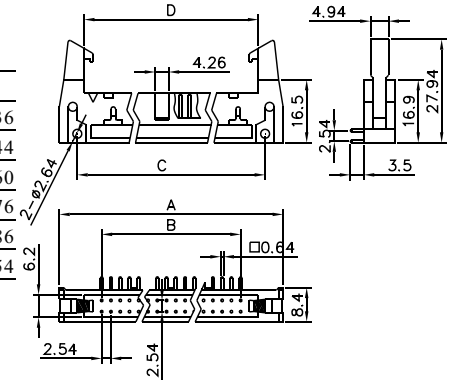
Specifications:

Contact Resistance: 30mΩ @ 100mA DC
 Insulator Resistance: 1000MΩmin. @ 500V DC
 Current Rating: 1AMP
 Voltage: 500V AC For 1 minute
 Operating Temperature: -55°C~+105°C
 Contact: Brass or Phosphor Bronze, Stamped
 Housing: PBT, UL94V-0

<Straight>



<Right Angle>



Ordering Information

C119 - 40 T S K

Series No. _____
 No. of Pins: _____
 10,12,14,16,20,26,
 30,34,40,50,60,64
 Contact Plating:
 T - Tinned Terminal &
 Gold Contact
 G - Gold Flash All Over

Insulator Colour:
 K - Black
 G - Gray

Pin Direction:
 S - Straight
 R - Right Angle

Pos.	A	B	C	D	Pos.	A	B	C	D
10	32.00	10.16	21.84	17.96	30	57.40	35.56	47.24	43.36
12	34.54	12.70	24.38	20.50	34	62.48	40.64	52.32	48.44
14	37.08	15.24	26.92	23.04	40	70.10	48.26	59.94	56.60
16	39.62	17.78	29.46	25.58	50	82.80	60.96	72.64	68.76
20	44.70	22.86	34.54	30.66	60	95.50	73.66	85.34	81.86
26	52.32	30.48	42.16	38.28	64	100.54	78.74	90.42	86.54