

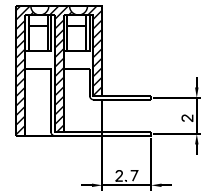
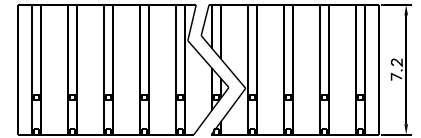
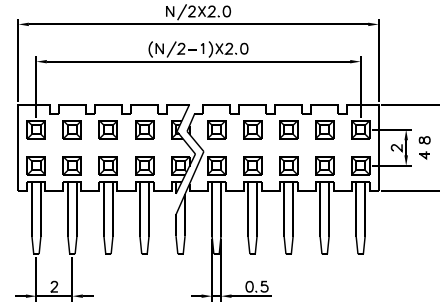


C117-A Series

Female Header, 2.0mm(0.079")

Specifications:

Contact Resistance: $30\text{m}\Omega @ 100\text{mA DC}$
 Insulator Resistance: $1000\text{M}\Omega\text{min. @ }500\text{V DC}$
 Current Rating: 1AMP
 Voltage: 500V AC For 1 minute
 Operating Temperature: $-55^{\circ}\text{C} \sim +105^{\circ}\text{C}$
 Contact: Brass or Phosphor Bronze, Stamped
 Housing: PBT, UL94V-0



Ordering Information

C117-A - D S 80 G

Series No.

D - Dual Row
 S - Single Row

Pin Direction:
 S - Straight
 R - Right Angle

Contact Plating:

T - Tinned
 G - Gold Flash All Over

No. of Pins:

02~40 for Single Row
 04~80 for Dual Row