

# C115-A Series

## PCB Socket, 2.0mm(0.079")

### Specifications:

Contact Resistance:  $30m\Omega @ 100mA DC$   
 Insulator Resistance:  $1000M\Omega min. @ 500V DC$   
 Current Rating: 1AMP  
 Voltage: 500V AC For 1 minute  
 Operating Temperature:  $-55^{\circ}C \sim +105^{\circ}C$   
 Contact: Brass or Phosphor Bronze, Stamped  
 Housing: PBT, UL94V-0

C115-A - D S 80 G

Series No.

D - Dual Row  
 S - Single Row

Pin Direction:  
 S - Straight  
 R - Right Angle

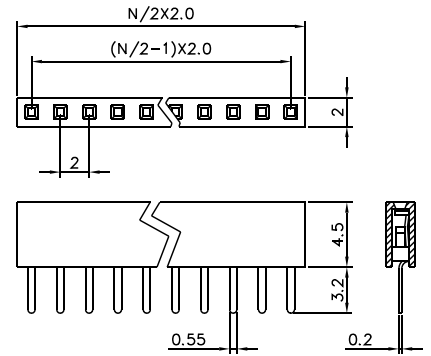
Contact Plating:

T - Tinned  
 G - Gold Flash All Over

No. of Pins:

02~40 for Single Row  
 04~80 for Dual Row

<Single Row>



<Dual Row>

