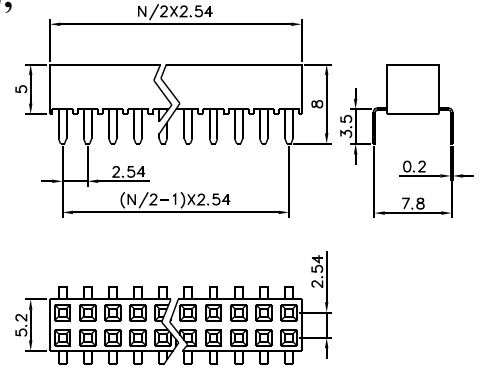


C114-B Series

**PCB Socket, 2.54mm(0.100"),
Bottom Entry**

Specifications:

Contact Resistance: 30mΩ @ 100mA DC
 Insulator Resistance: 1000MΩmin. @ 500V DC
 Current Rating: 1AMP
 Voltage: 500V AC For 1 minute
 Operating Temperature: -55°C~+105°C
 Contact: Brass or Phosphor Bronze, Stamped
 Housing: LCP, UL94V-0



Ordering Information

C114-B - 80 G

Series No. Contact Plating:
 No. of Pins: T - Tinned
 02~40 for Single Row G- Gold Flash All Over
 04~80 for Dual Row