

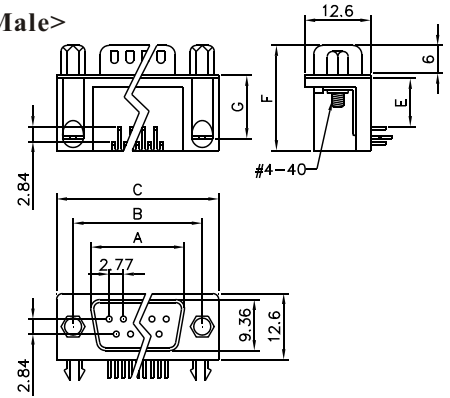
C107 Series

D-Sub Right Angle Type

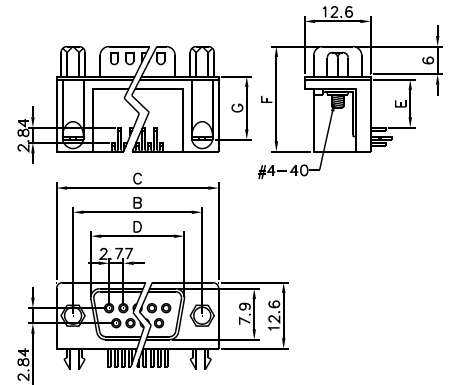
Specifications:

Contact Resistance: $30m\Omega @ 100mA$ DC
 Insulator Resistance: $1000M\Omega min. @ 500V$ DC
 Current Rating: 5AMP
 Voltage: 1000V AC For 1 minute
 Operating Temperature: $-55^{\circ}C \sim +105^{\circ}C$
 Contact: Brass or Phosphor Bronze, Stamped
 Housing: PBT, UL94V-0

<Male>



<Female>



Ordering Information

C107 - 25 F T B 0 1

Series No. _____
 No. of Pins: _____
 Gender: _____
 Shell Plating: _____
 Screw Type: _____
 Insulator Colour: _____

Positions	A	B	C	D
09	17.78	24.99	31.04	16.33
15	26.15	33.32	39.24	24.66
25	39.94	47.04	53.04	38.66
37	56.56	63.50	69.62	54.84
50	52.86	61.11	66.90	52.34

Footprint	E	F	G
1	7.2	18.40	9.62
2	9.4	20.64	12.06
3	13.84	25.30	16.50